

XCMG QY60K

Construction machine brochure



Max. total rated lifting load



60t

Full- extend boom lifting height



42m

Full extended boom lifting height
+ jib



58m



Crane model series:

All-terrain

Truck crane

Crawler crane

XCMG QY60K

Next International

Next International Equipment is a professional company which operates in the domestic sales and export of construction machinery and parts. We have years of experience selling xcmg products through different companies. The company has self-managerial import & export authority, and can independently conduct the import and export business of construction machinery products.

XCMG

Since its foundation in March 1989, XCMG has always kept its vanguard role in the Chinese construction machinery industry for 25 years. At present, it ranks 5th in world construction machinery industry and 119nd among the top 500 Chinese enterprises. Being a large enterprise group with the largest scale, the most complete product type and series, and the highest competitiveness and influence in Chinese construction machinery industry.

The QY60K is a four axle, single engine truck crane.

The specifically designed chassis combined with the eco-friendly engine greatly enhances overall driving performance.

Specially imported cables and bearings inside the boom make for the most reliable configuration possible.

Patented hydraulic system adopts many innovative technologies which can make the machine more energy saving and powerful.

Superstructure and carrier cabs for QY60K are designed with ISO standard and with air-condition. The seats are comfortable and take the load off the operator. This all provides an optimal attention to the work.

A newly designed load moment limiting system in full colour makes the safety of the people first priority.

XCMG QY60K

Technical specifications



Dimensions

Overall length	13500mm
Overall width	2800mm
Overall height	3510mm



Weight

Weight in travel state	41000kg
Front axle load	15000kg
Rear axles load	26000kg



Power

Engine model

Engine rated output	266kw/2200rpm
Engine rated torque	1250Nm/1500rpm
Engine rated speed	2200rpm



Travel

Max travel speed	75km/h
Min turning diameter	24m
Min ground clearance	290mm
Approach angle	17,5°
Departure angle	12°
Max grade ability	40%
Fuel consumption per 100km	45L
Braking distance (travel speed at 30km/h)	≤10m



Lifting performance

Max total rated lifting load	60t
Min rated working radius	3000mm
Turning radius counterweight	3550mm
Outrigger longitudinal span	5.8m
Outrigger lateral span	6.7m
Max load moment base boom	2060Kn/m
Max load moment extended boom	824Kn/m

Lifting height

Base boom	11.2m
Full extended boom	42m
Full extended boom + jib	58m

Boom length

Base boom	11.5m
Full extended boom	42m
Full extended boom + jib	57m



Working speed

Boom elevation time to max	60s
----------------------------	-----

Boom telescoping time

Extending boom fully	150s
Retracting boom fully	100s

Outrigger telescoping time

Outrigger beam extend/retract	30s/20s
Outrigger jack extend/retract	35s/30s

Hoisting speed (single line)

Main winch	Empty hook	130m/min
	Full load	75m/min
Aux winch	Empty hook	108m/min
	Full load	98m/min

XCMG QY60K

Lifting load charts for boom

Outrigger fully extend 6.7m; Counterweight 5.5t

Without 5th outrigger, boom over the side or over rear; With 5th outrigger, 360° full swing.

Working Radius (m)	Main boom length, load in kg					
	11.2m	15.05m	18.9m	26.6m	34.3m	42m
3	60000					
3.5	54000					
4	48000	40000	32000			
4.5	43800	36500	30000			
5	41000	34000	28000	21800		
5.5	38200	31500	26000	20500		
6	35000	30000	24800	20000		
6.5	28500	27500	22500	18800		
7	25500	25200	21000	17800	14000	
8	19200	18800	18500	15800	12500	
9	15500	15100	14500	14300	11500	8500
10		11800	12000	12800	10600	8000
12		7800	8050	9400	9000	6900
14			5500	6900	7500	6000
16			3800	5200	5800	5200
18				3900	4300	4600
20				2800	3400	3600
22				2100	2600	3000
24					2000	2400
26					1500	1800
28					1100	1400
30					800	1100
32						700
34						500
Parts of line	12	8	7	4	3	2
Boom angle	23°~69.4°	28.3°~71°	24°~75°	29.1°~77.2°	24.1°~78.2°	23.2°~78.5.4°

XCMG QY60K

Lifting load charts for boom

Outrigger half extend 5.3m; Counterweight 5.5t

Without 5th outrigger, boom over the side or over rear; With 5th outrigger, 360° full swing.

Working Radius (m)	Main boom length, load in kg					
	11.2m	15.05m	18.9m	26.6m	34.3m	42m
3	60000					
3.5	54000					
4	48000	40000	32000			
4.5	43800	36500	30000			
5	35480	34000	28000	21800		
5.5	28600	27900	26000	20500		
6	23800	23100	22600	20000		
6.5	20200	19600	19000	18800		
7	17400	16800	16400	17800	14000	
8	13300	12800	12500	13700	12500	
9	10550	10100	9800	11000	11500	8500
10		8100	7800	9000	9600	8000
12		5400	5100	6200	6800	6900
14			3400	4400	5050	5300
16			2100	3200	37500	4000
18				2200	2800	3100
20				1500	2100	2400
22				980	1500	1800
24					1000	1300
26					650	980
28						600
Parts of line	12	8	7	4	3	2
Boom angle	23°~69.4°	28.3°~71°	24°~75°	29.1°~77.2°	24.1°~78.2°	23.2°~78.5.4°

XCMG QY60K

Lifting load charts for boom

Outrigger fully extend 6.7m; Counterweight 5.5t

Without 5th outrigger, boom over the side or over rear; With 5th outrigger, 360° full swing.

Boom angle (°)	Boom 42m + jib 8.5m						Boom 42m + jib 15m					
	0°		15°		30°		0°		15°		30°	
	Lifting load (kg)	Lifting load (m)	Lifting load (kg)	Lifting load (m)	Lifting load (kg)	Lifting load (m)	Lifting load (kg)	Lifting load (m)	Lifting load (kg)	Lifting load (m)	Lifting load (kg)	Lifting load (m)
78	4000	51.8	2700	50.9	2400	49.5	2500	57.9	1400	56.2	1100	53.7
75	3600	51	2500	50	2300	48.5	2100	57	1250	55.2	1040	52.5
72	3200	50.1	2300	49	2200	47.4	1800	56	1150	54	990	51.1
70	2900	49.4	2200	48.2	2100	46.6	1700	55.2	1100	53.1	950	50.1
65	2200	47.5	2000	46.2	1900	44.4	1400	53	900	50.6	750	47.4
60	1650	45.2	1600	43.8	1500	41.9	1000	50.4	700	47.8	680	44.4
55	1050	42.7	1000	41.1	900	39.1	650	47.5	500	44.6	450	41.1
50	550	39.8	500	38.1	450	36						
Hook block weight	100kg											

XCMG QY60K

Lifting load charts for boom

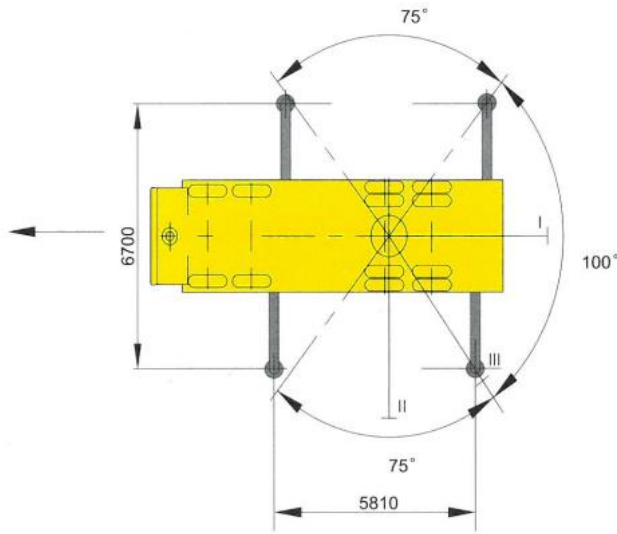
Outrigger fully extend 6.7m; Counterweight 5.5t

Without 5th outrigger, boom over the side or over rear; With 5th outrigger, 360° full swing.

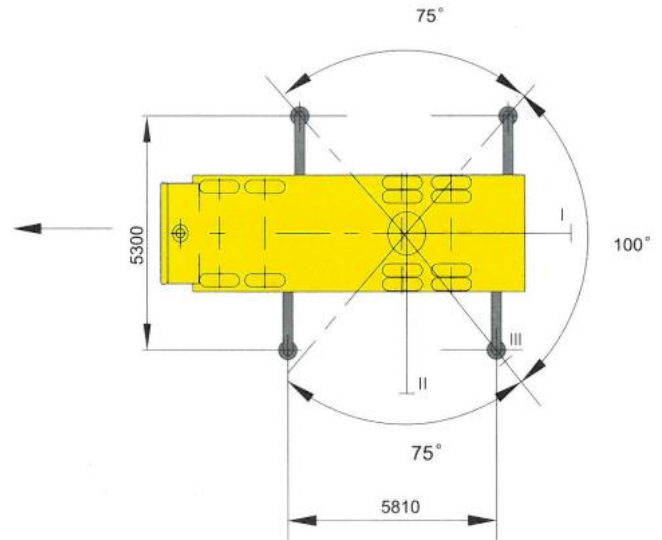
Boom angle (°)	Boom 42m + jib 8.5m						Boom 42m + jib 15m					
	0°		15°		30°		0°		15°		30°	
	Lifting load (kg)	Lifting load (m)	Lifting load (kg)	Lifting load (m)	Lifting load (kg)	Lifting load (m)	Lifting load (kg)	Lifting load (m)	Lifting load (kg)	Lifting load (m)	Lifting load (kg)	Lifting load (m)
78	4000	51.8	2700	50.9	2400	49.5	2500	57.9	1400	56.2	1100	53.7
75	3600	51	2500	50	2300	48.5	2100	57	1250	55.2	1040	52.5
72	3200	50.1	2300	49	2200	47.4	1800	56	1150	54	990	51.1
70	2600	49.4	1900	48.2	1900	46.6	1600	55.2	1100	53.1	950	50.1
65	1400	47.5	1300	46.2	1200	44.4	1200	53	780	50.6	700	47.4
60	600	45.2	600	43.8	500	41.9	500	50.4	450	47.8	400	44.4
Hook block weight	100kg											

XCMG QY60K

Additional technical information



Crane Working Area(Outrigger fully extending)



Crane Working Area(Outrigger half extending)

Notes

- ❖ The total rated lifting load in the tables are the maximum lifting capacity when the crane is set up on level and firm ground.
- ❖ Because the table of total rated lifting load is step the data, so when the actual working radius is between the middle of two data, select the bigger and most near radius for the corresponding lifting load.
- ❖ The boom telescoping is sequence and synchronous i.e. when extending, first extend fully the 2nd boom section, then the 3rd , 4th and 5th boom section.
- ❖ The total rated lifting loads include the weight of hook block and slings.
- ❖ The working radii in the tables are the actual values including the deflection of boom under load.
- ❖ The total rated load in the table is the max. lifting capacity for the boom without jib, when jib is attached on boom head, 2000kg should be reduced from total rated load for boom.
- ❖ The boom angle is theoretical calculation and only for reference. When boom angle is at 0°, the maximum permissible boom length is 34m.
- ❖ The total rated lifting load for single top is the same as those for boom with jib at 0° offset.
- ❖ Outrigger must be set up before lifting operation.



Next International Equipment

Next International Equipment
Room 2611-12, 26/F, C C Wu Building,
302-308 Hennessy Road, Wanchai,
Hong Kong